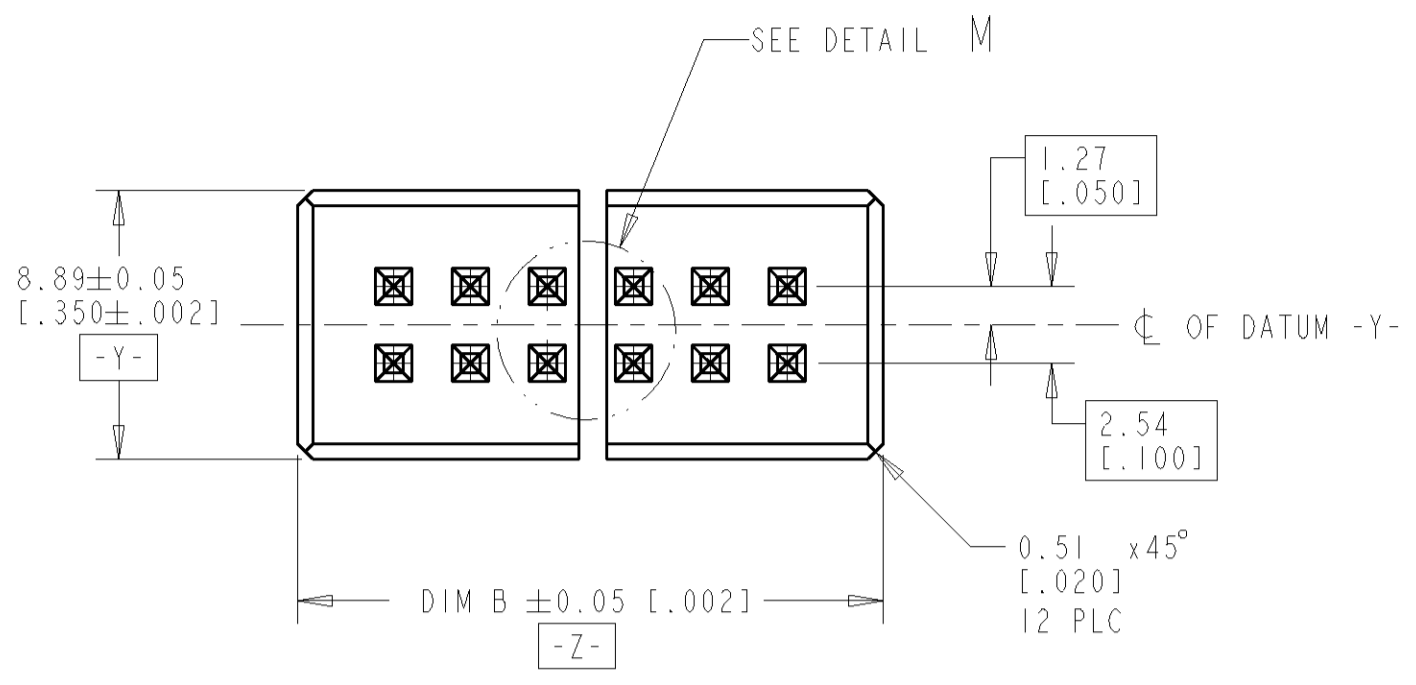
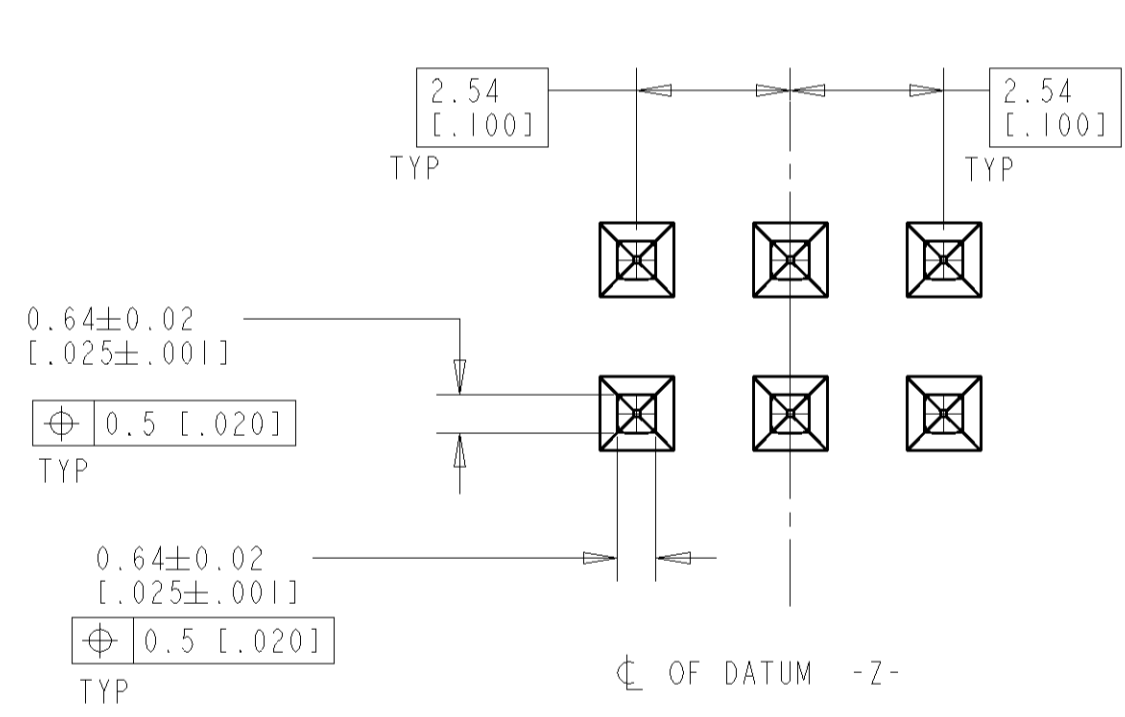
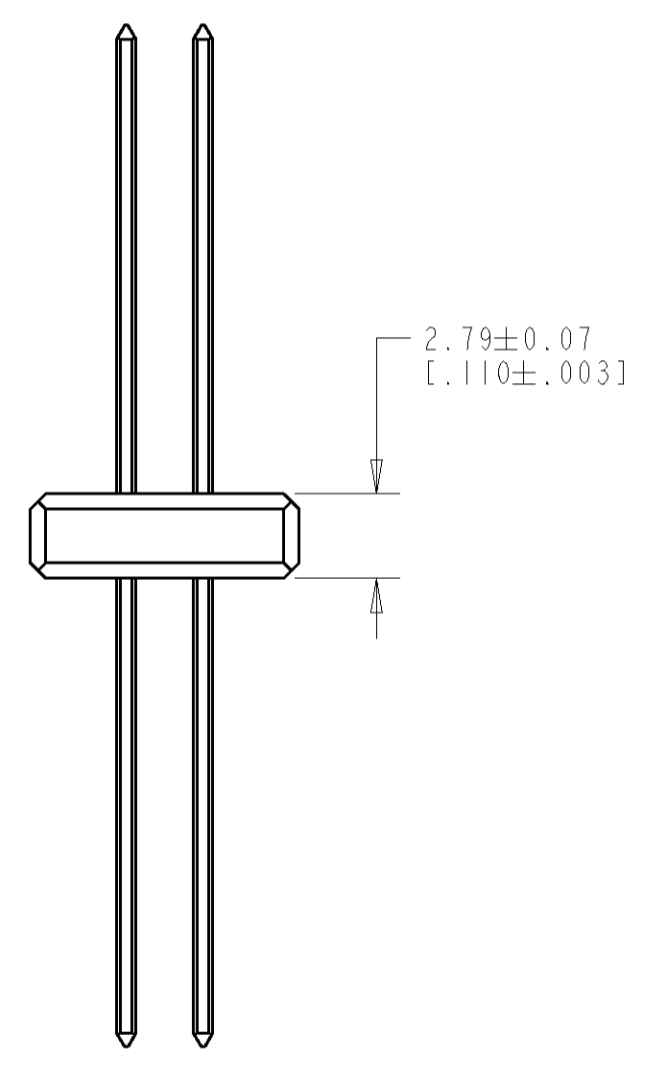
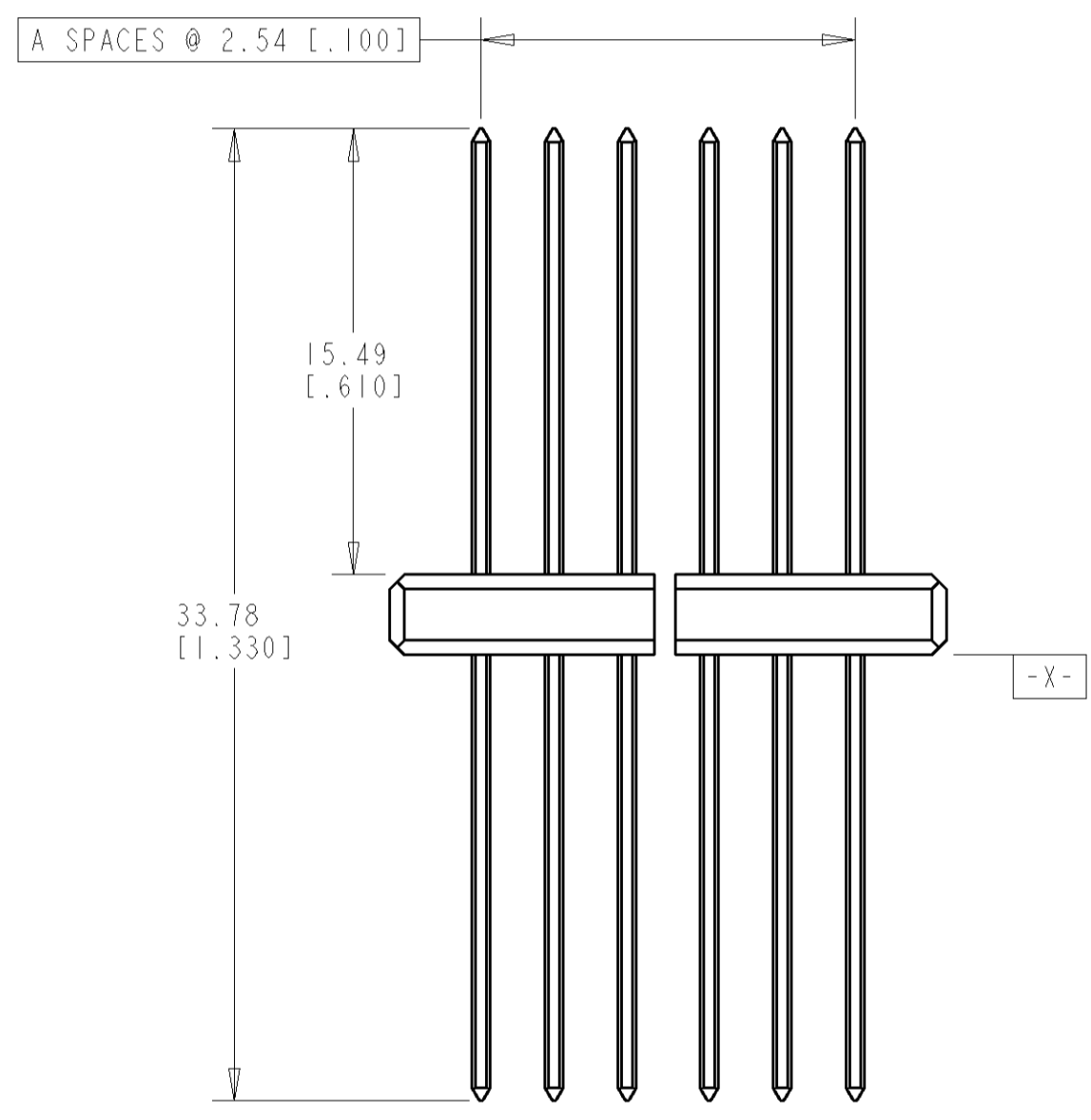


THIS DRAWING IS UNPUBLISHED. RELEASED FOR PUBLICATION
 BY AMP INCORPORATED. ALL RIGHTS RESERVED.

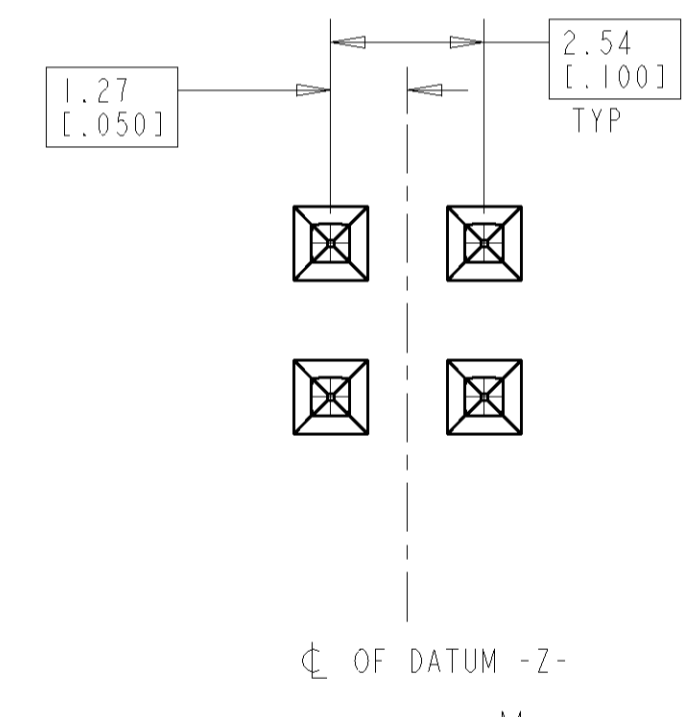
LOC	DIST	REVISIONS			
P	LTR	DESCRIPTION	DATE	DWN	APVD
AD	00	0	RELEASED WAS P980G20-4490-110	11FEB99	BH JG



- 1 MATERIAL: HOUSING - PBT, COLOR-BLACK.
POST: PHOSPHOR BRONZE.
- 2 FINISH: 0.00381 [.000015] MIN GOLD ON CONTACT AREA
ALL OVER 0.00127 [.000050] MIN NICKEL ON ENTIRE POST.



DETAIL M
SCALE 8:1
BASIC DIMENSIONS FOR
EVEN NUMBER OF SPACES
(SEE TABLE)



DETAIL M
SCALE 8:1
BASIC DIMENSIONS FOR
ODD NUMBER OF SPACES
(SEE TABLE)

21.59 [.850]	6	14	147250-3
19.05 [.750]	5	12	147250-2
11.43 [.450]	2	6	147250-1
B	A	POSN	PART NUMBER

THIS DRAWING IS A CONTROLLED DOCUMENT FOR AMP INCORPORATED. IT IS SUBJECT TO CHANGE AND THE CONTROLLING ENGINEERING ORGANIZATION SHOULD BE CONTACTED FOR THE LATEST REVISION.		DWN B. HAYMAKER 11FEB99 CHK J. GESFORD 11FEB99 APVD S. BOLASH 11FEB99	AMP AMP Incorporated Harrisburg, PA 17105-3608
DIMENSIONS: mm [INCHES]	TOLERANCES UNLESS OTHERWISE SPECIFIED: 0 PLC ± 1 PLC ± 2 PLC ± 3 PLC ±0.13 [.005] 4 PLC ± ANGLES ± FINISH	PRODUCT SPEC - APPLICATION SPEC - WEIGHT -	NAME HEADER ASSEMBLY, VERTICAL, DOUBLE ROW, MOD 11, AMPMODU
MATERIAL 1	FINISH 2	CUSTOMER DRAWING	SIZE A2 CAGE CODE 00779 DRAWING NO. 147250 RESTRICTED TO - SCALE 4:1 SHEET 1 OF 1 REV 0